

Cat No

Model NDG96

KN-4-03

Differential Pressure Gauges



OUTLINE

This is a compact differential pressure gauge, to check the pressure difference (differential pressure) between two points.

This pressure gauge can also be used for measuring liquid level and flow rate.

FEATURES

- ◆ Pressure piping can be connected to either upper side or lower side of this pressure gauge, making the piping work easier.
 - ◆ Certified pressure gauges complying with the High Pressure gas control Law are also available. (option) (however, they cannot be applied to poisonous gas)
- * The base pressure refers to the pressure to be used as the basis out of pressure at two points, or a pressure with smaller fluctuation.
One-sided pressure tight means the maximum differential pressure.

SPECIFICATION 1

Model :

NDG96 Differential pressure gauge

Fluid :

Gas or liquid

Operating condition :

In case of NDG96 Under the normal condition, where there is no inflammable gas and liquid which cause the ignition or explosion.

Installation system :

2B Pipe installation, Surface mounting type

Size :

150 DIA

Connection :

Rc1/4(PT female), 1/4 NPT female

Wetted parts material :

Body SCS14
Bellows 316L st.st.
Gasket NBR

Differential pressure range :

0 ~ 5kPa → 0 ~ 1MPa

Base pressure :

0~5MPa

Operating temperature :

-20 ~ 60℃

One side pressure tight ;

0.2~1.2MPa
(Depend on differential pressure range)

Indication accuracy :

±0.5%F.S or ±1.0%F.S , ±1.5%F.S
(Only Capillary Type & Low Diff. Range 20kPa Less ±1.0%F.S)

Case material · finishing : ADC12

Valve-manifold : (Option)

Three-way valve manifold which combined the stop valve for high and low pressure and stop valve.
This valve manifold is suitable for checking zero point or zero adjustment during operation and also available to prevent excess differential pressure or reversal differential pressure.

Dial scale specified : (Option)

Printed words, colored circle, customer's logo

Construction : IP56

Weight :

Approx. 2.9 kg~Approx. 4.3 kg

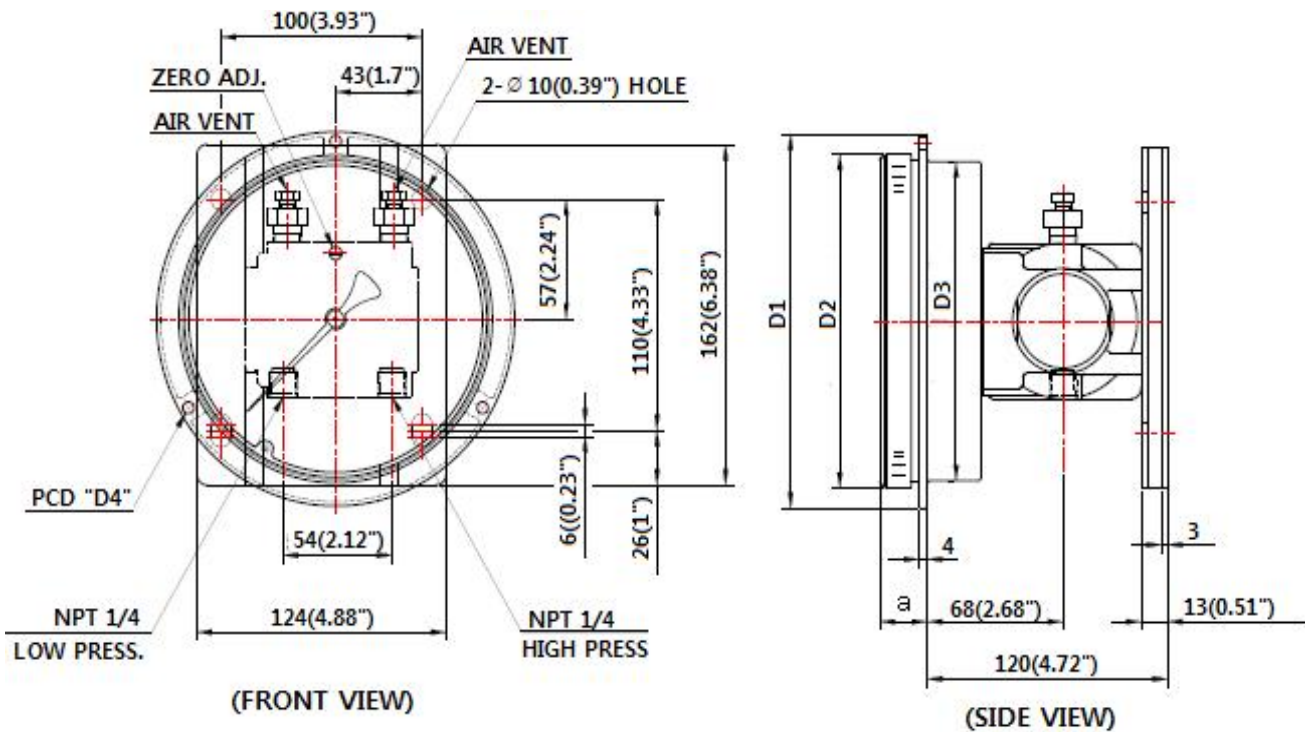
SPECIFICATION 2

Minimum graduation :

Differential pressure range	One side pressure tight	Minimum graduation
0 ~ 5 kPa	0.2MPa	0.1 kPa (10mmH ₂ O)
0 ~ 7		0.2 (20)
0 ~ 10		0.2 (20)
0 ~ 15		0.5 (50)
0 ~ 20		0.5 (50)
0 ~ 30	0.4MPa	1 (100)
0 ~ 40		1 (100)
0 ~ 50		1 (0.01kgf/cm ²)
0 ~ 70		2 (0.02)
0 ~ 100		2 (0.02)
0 ~ 200	1.2MPa	5 (0.05)
0 ~ 300		10 (0.1)
0 ~ 400		10 (0.1)
0 ~ 600		20 (0.2)
0 ~ 1MPa		20 (0.2)

DIMENSION 1

(Unit : mm)



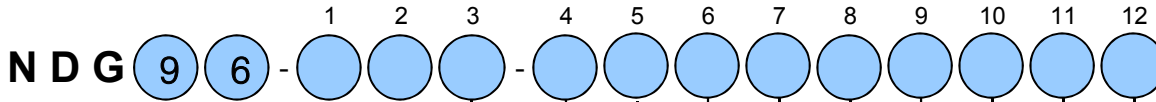
Model	D1	D2	D3	D4	a
NDG96	178	159	152	169	23.5

* The one of two orifices that is not used as a pressure induction orifice should be used as an air vent.

Type No. constitution

Please specify Type No. each specification and range when ordering

Note : For this Model, there is no applicable item for the figures X, but please specify X when ordering



1. Installation system

1	2B Pipe installation
2	Surface mounting
3	Panel mounting

2. Connection

7	1/4"PT(F)
X	1/4" NPT(F)

3. Wetted parts material

3	Case : ADC12 Body : SCS14(CF8M)/Belows : 316L st.st.
4	Case : ADC12 / Body & Bellows : Monel

4. Type

1	Diff. Pressure Type
2	Flow Type
3	Level Type

5. Accuracy

1	±0.5% F.S
2	±1.0% F.S
3	±1.5% F.S

6. Differential Pressure Scale(ΔP Range)

A	0 ~ 5kPa	K	0 ~ 0.2MPa
B	0 ~ 7kPa	L	0 ~ 0.3MPa
C	0 ~ 10kPa	M	0 ~ 0.4MPa
D	0 ~ 15kPa	N	0 ~ 0.5MPa
E	0 ~ 20kPa	O	0 ~ 0.6MPa
F	0 ~ 30kPa	P	0 ~ 0.7MPa
G	0 ~ 40kPa	1	0 ~ 0.8MPa
H	0 ~ 0.05MPa	2	0 ~ 0.9MPa
I	0 ~ 0.07MPa	3	0 ~ 1MPa
J	0 ~ 0.1MPa	4	Other Scale

7. Construction

1	Not Remote Seal
2	Remote Seal

12. Process con'n 2

0	Nil
A	PF
B	PT
C	NPT
D	ANSI 150# RF
E	ANSI 150# FF
F	ANSI 300# RF
G	ANSI 300# FF
H	ANSI 600# RF
I	ANSI 600# FF

11. Process con'n 1

0	Nil
1	3/8"
2	1/2"
3	3/4"
4	1"
5	1-1/2"
6	2"
7	2-1/2"

10. Capillary Length

0	Nil
1	2m
2	3m
3	5m
4	7m
5	9m
6	10m
7	12m
8	15m
9	Other

9. Under flange

0	Nil
A	304SS
B	316SS
C	316L SS
D	Monel
E	Hastelloy-C

8. Diaphragm/Bellows material

0	Nil	
A	SUS 316L	304SS (Upper flange)
B	MONEL	
C	Hastelloy-C	
D	Tantalum	
F	SUS 316L	316SS (Upper flange)
G	MONEL	
H	Hastelloy-C	
I	Tantalum	



KOREA NAGANO CO., LTD.

HEAD OFFICE & : #120-1, Dongbu-daero 970beon-gil, Hwaseong-si, Gyeonggi-do, korea. 18481.
SALES DEPT

TEL. : 82- 31- 379- 3934
FAX. : 82- 31- 379- 3936